

ACE-N622

Features

- Specifically designed for high performance and low-power envelope AI computing
- Additional driver to support Embedded peripheral modules for multiple I/O expansion capability
- On-board 1x HDMI, 2x CAN BUS and 2x Mini Card to support rich multimedia and MIPI CSI camera
- Extended temperature range -20°C to 70°C
- Suitable for general robotics, UAV, industrial inspection, medical imaging and deep learning
- 1x 12V output and 1x 5V output to support mPCIe extension module.

Specifications

Form Factor

- nano-ITX (120 x 120mm)

Support Module

- NVIDIA Jetson TX2 Module (87 x 50mm)
- NVIDIA Jetson TX1 Module (87 x 50mm)

I/O Interface

- 1x HDMI Type A
- 1x RJ-45 for GbE
- 2x USB3.0 Type A
- 1x USB2.0 Micro AB
- 1x Full-Mini Card (PCI Express x1 & USB 2.0)
- 1x Full-Mini Card (PCI Express x1 or mSATA)
- 2x CAN BUS¹**
- 1x Front Panel
- 1x MIPI CSI-2 (2 Lanes)
- 1x 4pin 12V output
- 1x 4pin 5V output
- 1x RS-232 / 1 x UART / 1 x I2C / 4 x GPIO
- 1 x DC-in 12V~19V

Operating Temperature

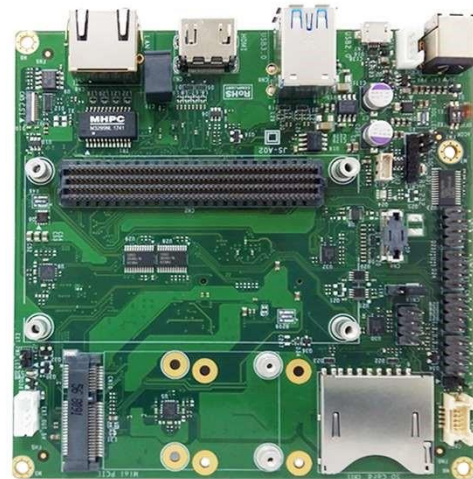
- 0°C ~ +55°C (Standard Version)
- 20°C ~ +70°C (Extended temperature)

Operating Humidity

- 10% ~ 90%

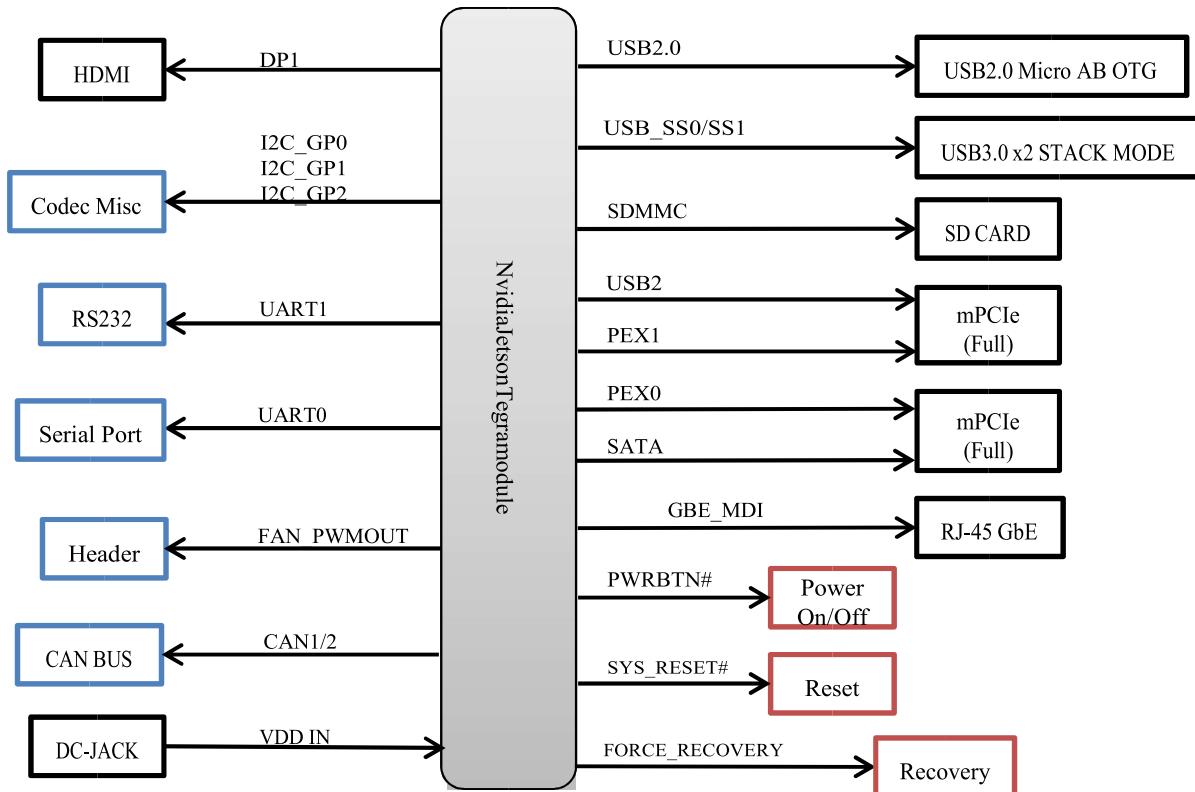
Storage Temperature

- 40°C ~ +125°C



1. CAN BUS function only work on TX2. TX1 not support.

Block Diagram



Mechanical

