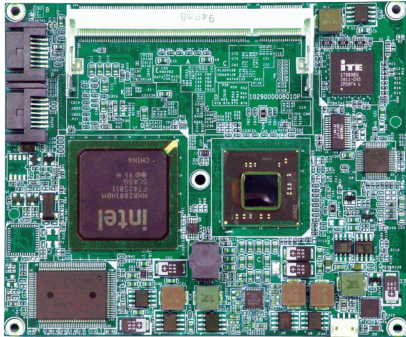


ETX-742E



Wide-Range Temperature Intel® Atom™ Processor N450 ETX CPU Module



Features

- **Fanless Design**
- Soldered onboard Intel® Atom™ Processor N450
- ETX 3.0 with SATA Connectors
- Single Channel 18-bit LVDS and Analog RGB
- **Wide-Range Operating Temp.: -40 ~ 85°C**

System

Processor	Soldered onboard Intel® Atom™ Processor N450 1.6GHz
Chipset	Intel® ICH8M
Memory	1 x DDR2 SO-DIMM socket, supporting up to 2GB 667MHz SDRAM
BIOS	AMI BIOS
Watchdog Timer	1~255 levels reset

I/O

Super IO chipset	Winbond W83627HG
Serial Port	1 x RS-232 1 x RS-232/422/485 (by Carrier Board)
Parallel Port	SPP/EPP/ECP mode
Keyboard & Mouse	PS/2 interface for keyboard and mouse
USB 2.0	4 x USB 2.0 ports
Expansion	4 x PCI, ISA, LPC
Storage	1 x Ultra ATA, supporting 2 IDE devices 2 x Serial ATA ports with 300MB/s HDD transfer rate
Ethernet Chipset	1 x Realtek RTL8103 PCIe 10/100Base-T Ethernet controller
Audio	Realtek ALC888 7.1 Channel HD Audio Codec, Mic-in/ Line-in/Line-out

Display

Graphic Chipset	Integrated Intel® GMA 3150
Graphic Interface	Analog RGB/DVI: Analog RGB, with resolution up to 1400x1050 LCD: Single channel 18-bit LVDS, with resolution up to 1280x800 or 1366x768

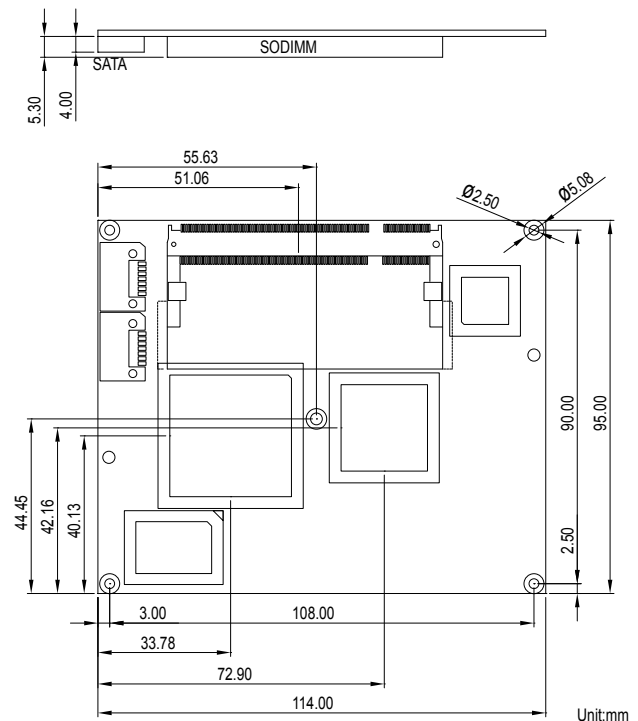
OS Support

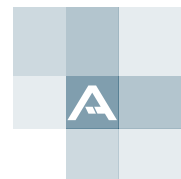
Windows 2000 32-bit
Windows XP 32-bit

Mechanical & Environmental

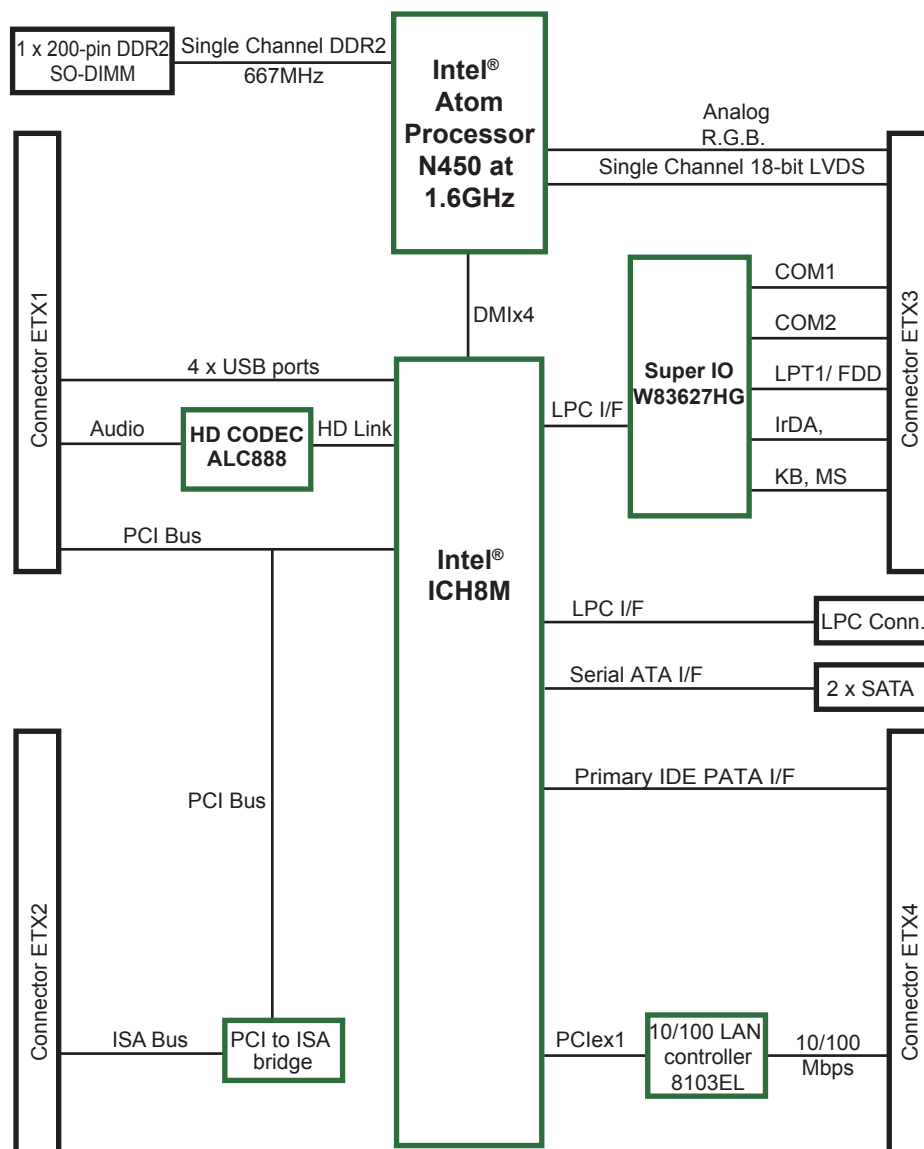
Power Requirement	DC 5V, 5VSB
Power Consumption	2.21A@5V with N450 (Typical, with PBE-1700)
Operating Temp.	-40 ~ 85°C (-40 ~ 185°F)
Operating Humidity	10 ~ 95% @ 85°C (non-condensing)
Dimension (L x W)	114 x 95 mm (4.5" x 3.7")

Dimensions





Block Diagram



Ordering Information

ETX-742E (BTO) Intel® Atom™ Processor N450/ ICH8M WT ETX CPU module

Optional Accessories

HS-0742-F3 Heat spreader 114x95x8mm

PBE-1000 R2.1 ETX evaluation carrier board in ATX form factor

CBK-08-1000-00
 Cable kit
 1 x FDD cable
 3 x Serial port cables
 1 x USB cable
 2 x IDE cables
 1 x TV-out cable