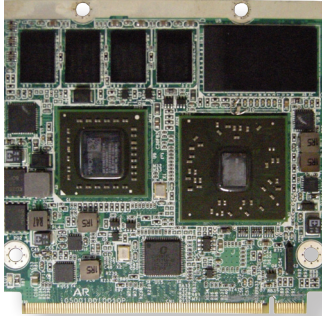


# EmQ-a50M1



## AMD G-Series APU G-T40E Qseven® CPU Module



### Features

- **Fanless Design**
- Soldered onboard AMD G-Series APU G-T40E dual-core
- Integrated Gigabit Ethernet
- Dual Channels 18/24-bit LVDS, Analog RGB, and DDI Port
- **Extended Operating Temp.: -20 ~ 70°C**

### System

Processor	Soldered onboard AMD G-Series Processor G-T40E 1.0GHz
Chipset	AMD FCH A50M
Memory	Soldered onboard 2GB DDR3L SDRAM
BIOS	AMI BIOS
Watchdog Timer	1~255 levels reset

### I/O

USB 2.0	8 x USB 2.0 ports
Expansion	3 x PCIe1, LPC
Storage	2 x Serial ATA ports 600MB/s HDD transfer rate
	8GB NANDrive (OEM request)
Ethernet Chipset	1 x Realtek RTL8111E PCIe GbE controller
Audio	HD link

### Display

Graphic Chipset	Integrated AMD Radeon HD 6250
Graphic Interface	Analog RGB/DVI: Analog RGB (via RSV pin)
	LCD: Dual Channels 18/24-bit LVDS
	DDI port: 1 x DDI port

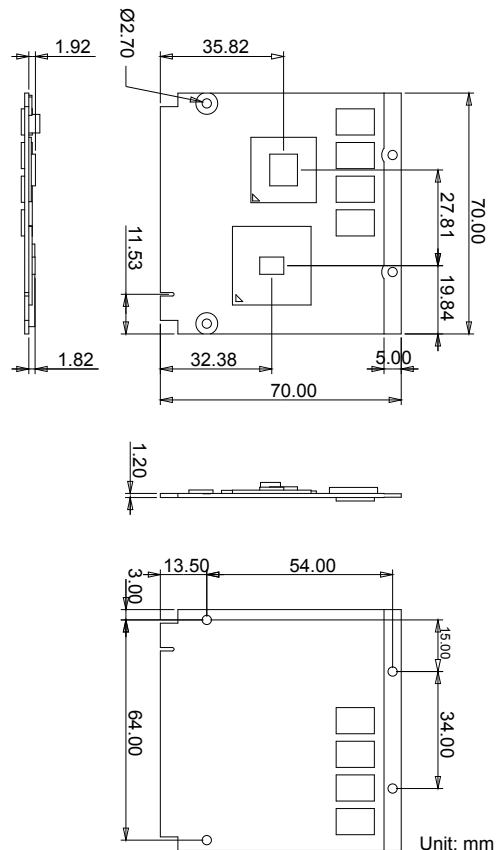
### OS Support

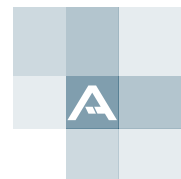
Windows XP  
Windows 7  
Linux: Ubuntu

### Mechanical & Environmental

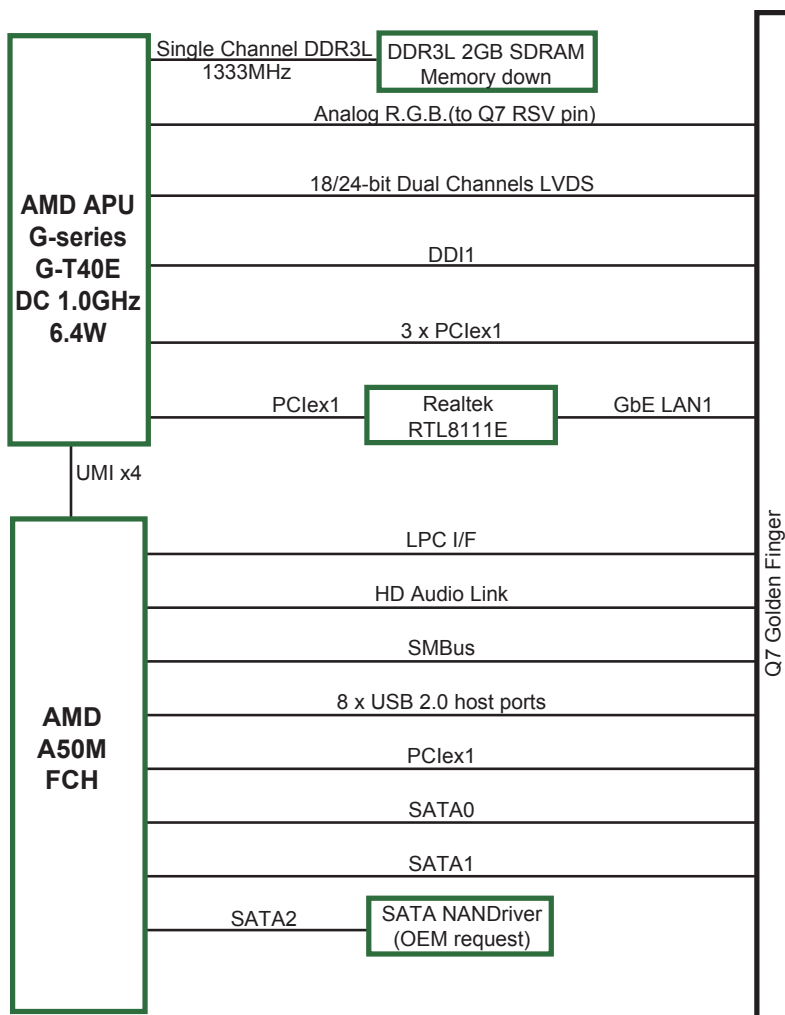
Power Requirement	DC 5V, 5VSB
Power Consumption	1.55A@12V (Typical, with PBQ-3000)
Operating Temp.	-20 ~ 70°C (-4 ~ 158°F) with
	-20 ~ 60°C (-4 ~ 149°F) with EmQ-a50M1D
Operating Humidity	10 ~ 95% @ 70°C with EmQ-a50M1 (non-condensing)
	10 ~ 95% @ 60°C with EmQ-a50M1D (non-condensing)
Dimensions (L x W)	70 x 70 mm (2.76" x 2.76")

### Dimensions





## Block Diagram



### Ordering Information

EmQ-a50M1	AMD G-T40E/ A50M Qseven® CPU module with 2GB memory soldered on CPU module
EmQ-a50M1D (OEM request)	AMD G-T40E/ A50M Qseven® CPU module with 2GB memory soldered on CPU module, 8GB NANDrive soldered on CPU module

### Optional Accessories

HS-0520-F1	Heat spreader 70x65x8mm
HS-0000-W3	Universal evaluation heat sink kit with thermal pad 70x65x29.8mm, only used on a flat-type heat spreader
PBQ-3000	Qseven® R1.2 carrier board in EPIC form factor
CBK-06-3000-00	Cable kit 1 x USB cable 1 x USB2 cable 2 x Serial port cables 1 x SATA cable 1 x SATA power cable