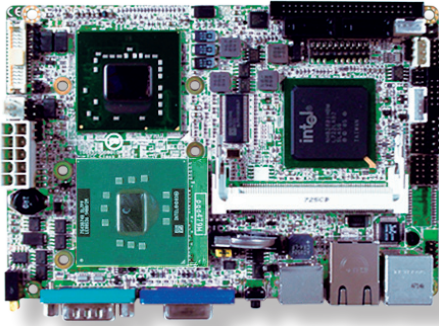


EasyBoard-841E



Wide-Range Temperature Intel® Core™ 2 Duo L7500 3.5" Compact Board



Features

- Soldered onboard Intel® Core™ 2 Duo Processor L7500
- Dual Gigabit Ethernet Ports
- Dual Channels 24-bit LVDS and Analog RGB
- Dual Independent Displays supported
- **Wide-Range Operating Temp.: -40 ~ 85°C**

System

Processor	Soldered onboard Intel® Core™ 2 Duo Processor L7500 1.6GHz
Chipset	Intel® GME965 + ICH8M
Memory	2 x DDR2 SO-DIMM sockets, supporting up to 4GB 667MHz SDRAM
BIOS	AMI BIOS
Watchdog Timer	1~255 levels reset

I/O

Super IO Chipset	Winbond W83627HG
Serial Port	1 x RS-232 1 x RS-232/422/485 selectable
Parallel port	SPP/EPP/ECP mode selectable, shared with FDD
Keyboard & Mouse	6-pin Mini-DIN connector for PS/2 keyboard/mouse via Y-cable
USB 2.0	6 x USB 2.0 ports
Expansion	1 x Mini-PCI Socket 2 x Serial ATA ports with 300MB/s HDD transfer rate
Storage	1 x CF II socket 1 x Ultra ATA, supporting 2 IDE devices
Ethernet Chipset	2 x Realtek® RTL8111 PCIe GbE controllers
Digital I/O	8-bit Programmable
Audio Interface	Realtek® ALC888 7.1 Channel HD Audio CODEC, Mic-in/ Line-in/ Line-out

Display

Graphic Chipset	Integrated Intel® GMA X3100
Graphic Interface	Analog RGB with resolution up to 2048x1536 LVDS: Dual Channels 24-bit LVDS

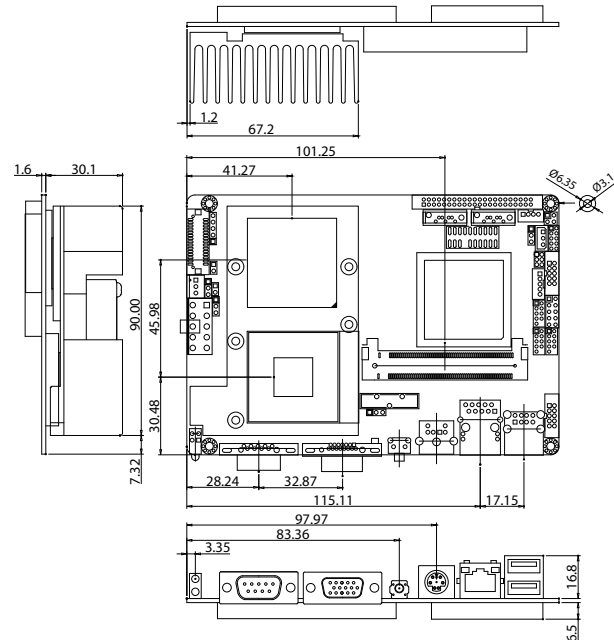
OS Support

Windows XP 32/64-bit
Windows 7 32/64-bit

Mechanical & Environmental

Power Input	2 x 5-pin ATX
Power Consumption	0.37A@+12V, 6.66A@+5V, 2.37A@+3.3V (Typical)
Operating Temp.	-40 ~ 85°C (-40 ~ 185°F)
Operating Humidity	10 ~ 95% @ 85°C (non-condensing)
Dimension (L x W)	146 x 102 mm (5.7" x 4.0")

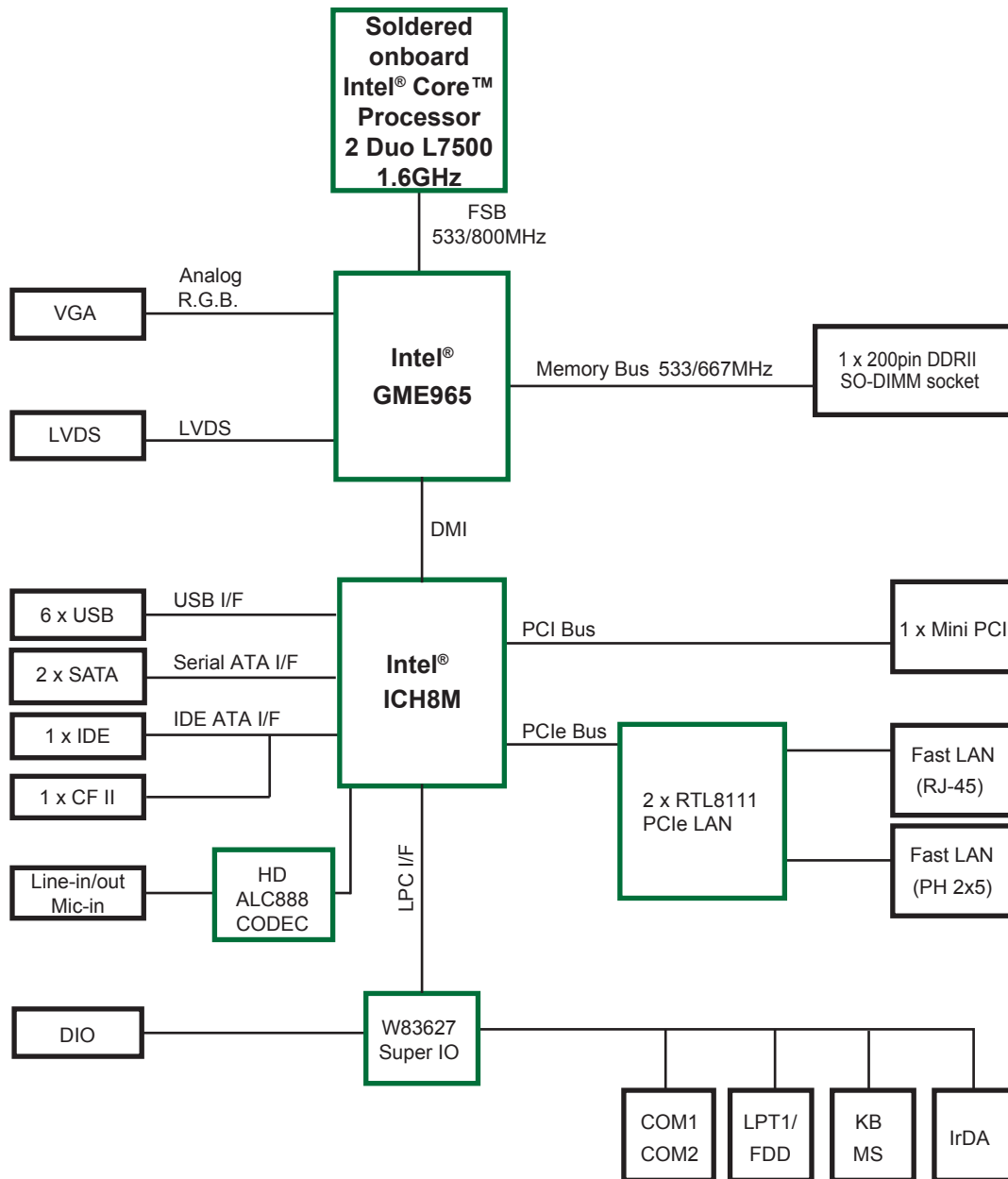
Dimensions



Unit:mm



Block Diagram



Ordering Information

EasyBoard-841E/L7500 (BTO)

Intel® Core™ 2 Duo Processor L7500/ GME965/ ICH8M WT COM 3.5" compact board

Optional Accessories

CBK-09-9651-00	<ul style="list-style-type: none"> Cable kit 1 x Serial port cable 2 x USB cables 1 x IDE cable 1 x LPT port cable 2 x SATA cables 1 x Audio cable 1 x LPT to FDD cable 1 x GbE cable 1 x KB/MS Y-cable
----------------	---