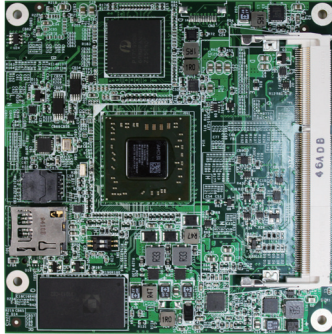


EmETXe-a58M0

AMD APU G-series GX-412HC COMe Type 6 CPU module



Features

- **Fanless Design**
- Soldered onboard AMD APU G-series SoC GX-412HC processor
- Analog RGB and DDI Port
- Integrated Gigabit Ethernet

System

CPU	Soldered onboard AMD APU G-series SoC GX-412HC processor
Memory	1 x DDR3L SO-DIMM socket, up to 8GB 1666MT/s SDRAM
BIOS	AMI UEFI BIOS
Watchdog Timer	1~255 levels reset

I/O

USB Port	7 x USB 2.0 ports 2 x USB SS ports (Super Speed)
Expansion Bus	7x PCIe x 1 Lanes, SDIO
Storage	2 x Serial ATA ports with 600MB/s HDD transfer rate (one is shared with optionally SATA NANDrive via SATA switch ASM1456) 1 x Micro SD socket
Ethernet Chipset	1 x Realtek RTL8111E GbE controller
Audio	HD link

Display

Graphic Chipset	Integrated AMD Radeon™ HD 8000E Graphics
Graphic Interface	Analog RGB DDI: 2 x DDI ports

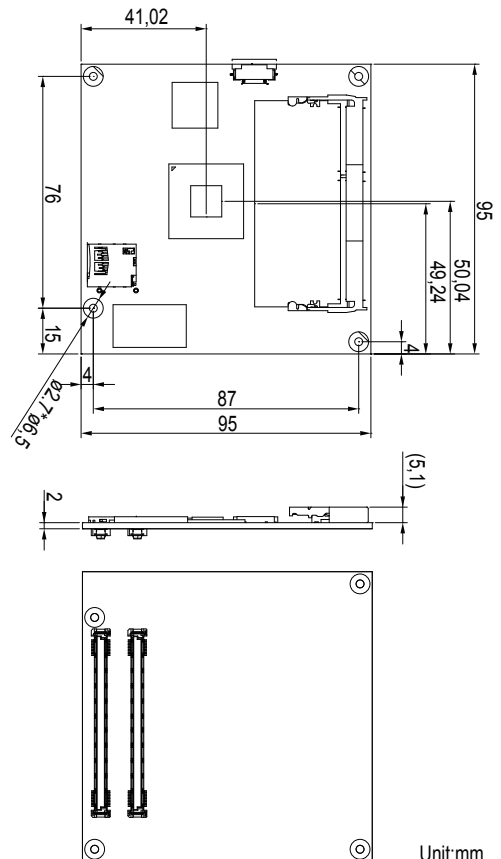
OS Support

Windows 7 32-bit/64-bit
 Windows 8.1 32-bit/64-bit
 Linux: Ubuntu

Mechanical & Environmental

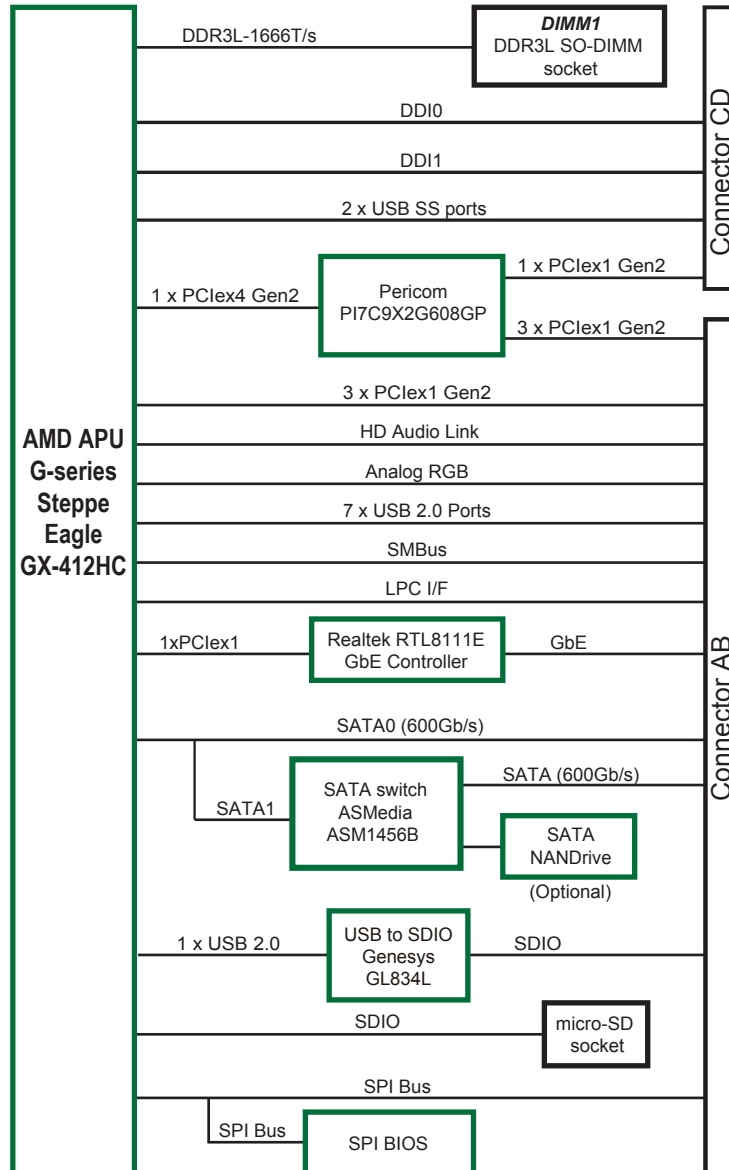
Power Requirement	+12V, +5VSB
Power Consumption	1.03A@12V (Typical)
Operating Temp.	0 ~ 60°C (32 ~ 140°F)
Operating Humidity	10 ~ 95% @ 60°C (non-condensing)
Dimension (L x W)	95 x 95mm (3.7" x 3.7")

Dimensions



Unit:mm

Block Diagram



Ordering Information

EmETXe-a58M0-412HC AMD APU G-series GX-412HC COMe Type 6 CPU module

Optional Accessories

HS-58M0-F2-T	Heat Spreader; Threaded standoffs(bore hole) (95x95x11mm)
HS-58M0-F2-NT	Heat Spreader; Non-threaded standoffs(bore hole) (95x95x11mm)
HS-0000-W4	Universal evaluation heatsink kit w/ thermal pad
PBE-1702	COMe Type 6 ATX form factor Carrier Board
CBK-04-1702-00	Cable kit 1 x USB cable 2 x Serial port cables 1 x SATA cable