

IOT-800

8" Risc-based Panel PC



Features

- Integrated with the optional vehicle docking as a compact vehicle mount termina
- Built-in CAN 2.0 to support fleet management applications
- 2M front camera and mini-SIM card support for in-vehicle surveillance
- Multiple I/O including LAN, USB 2.0, and RS232 support
- Built-in WWAN, WLAN, GPS, and Bluetooth
- Ruggedized design with front bezel IP65 rating

System

CPU	Quad-core ARM Cortex-A9 1.6GHz
OS	Android 4.4 / 5.1
Memory	1GB LPDDR3
Flash	16GB eMMC

Peripherals and Devices

Front Camera	2.0 megapixel camera
Audio	1 x built-in speaker (8Ω / 2W) 1 x built-in microphone

Wireless

WWAN	Mini PCIE interface WCDMA / CDMA / TDSCDMA / LTE (optional)
GPS + BeiDou	GPS mouse (optional)
WLAN	IEEE 802.11 a/b/g/n
Bluetooth	Bluetooth 4.0 low power BLE
NFC	Support NFC transmission standard 14443A/B, 15693, felica

I/O Interface

SD Card	microSD card slot, maximum 32 GB
USB Host	2 x USB 2.0 High Speed
Speaker	1 x 8Ω/2W
DB9 Interface	1 x RS-232 (full function), 1 x RS-232/422/485 (TX/RX)
LAN	1 x RJ45, support Ethernet (10/100Mbps)
Power	Toggle switch, on/off switchable
CAN	CAN 2.0
DIO	4 x 3.3V GPIO

LCD Display

Physical size	8 inches
Resolution	1024 x 600
Technology	High definition
Colors	16M Colors, 24bit
Brightness (cd/m ²)	320 cd/m ²
Touchscreen	GG capacitive, 5-point multi-touch

Power Input

DC Input	2-pin terminal block 12V~24V auto-detection
----------	--

Mechanical & Environmental

Ingress Protection	Front bezel IP65
Operating Temp.	-10°C ~ 50°C (14°F ~ 122°F)
Storage Temp.	-20°C ~ 60°C (-4°F ~ 140°F)
Operating Humidity	5% ~ 90% RH
Dimensions (W x H x D)	218.16 x 162.67 x 46.5 mm (8.59" x 6.41" x 1.83")
Weight	Approx 0.926 Kg (2.04 lb)

Installation

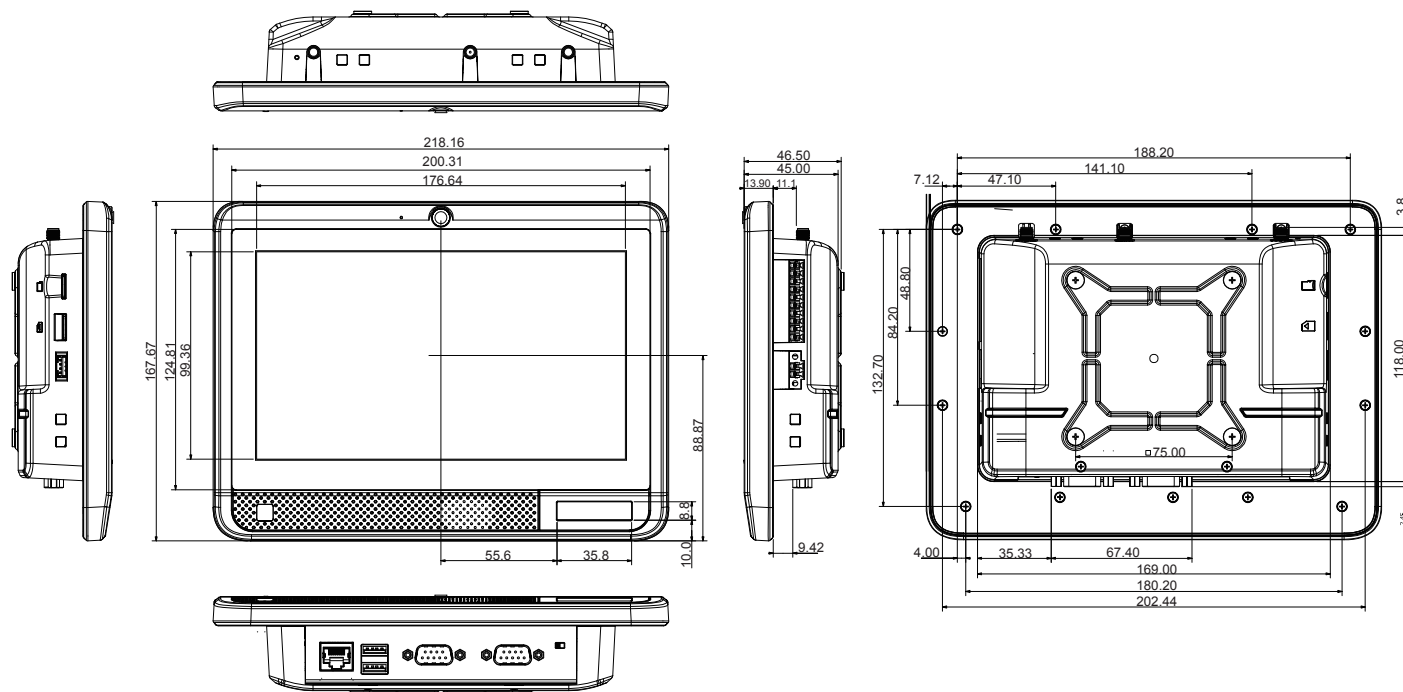
VESA Mount	75mm x 75mm
------------	-------------

Ordering Information

IOT-800	8" Risc-based Panel PC with Quad-core ARM Cortex Processor, Front Camera, WLAN and Bluetooth
---------	--



Dimensions





Unit: mm

Standard Accessories

Terminal Block Connector	2-pin DC Terminal Block, Plug, Green 10-pin Terminal Block, Plug, Green
Antenna	Wi-Fi/Bluetooth Antenna
Manual	User Manual

Optional Accessories

AC-DC power adapter	Input : 100V-240V, Output : 12V/2A	
PVB-800	Vehicle Power Delay Timer Box	
3G Module + Antenna	UMTS/HSDPA/HSUPA 900(850)/2100(1900)MHz ,GSM/GPRS/EDGE 850/900/1800/1900MHz	
4G Module + Antenna (Global)	FDD LTE:Band 1, Band 3, Band 8 TDD LTE: Band 39, Band 40, Band 41 (38) DC-HSPA+/HSPA+/HSPA/UMTS:Band 1, Band 9, Band 5, Band 8 TD-SCDMA: Band 34, Band 39 GSM/GPRS/EDGE: 1800MHz/900MHz	
4G Module + Antenna (EU)	FDD LTE: Band 1, Band 2, Band 3, Band 4, Band 5, Band 7, Band 8, Band 20, all bands with diversity WCDMA/HSDPA/HSUPA/HSPA+: Band 1, Band 2, Band 5, Band 8, all bands with diversity GSM/GPRS/EDGE: 850 MHz/900 MHz/1800 MHz/1900 MHz	
4G Module + Antenna (US)	LTE:FDD Band 2, Band 4, Band 5, Band 17, all bands with diversity WCDMA/HSDPA/HSUPA/HSPA+: Band 2, Band 4, Band 5, all bands with diversity	
GPS	GPS Mouse	